

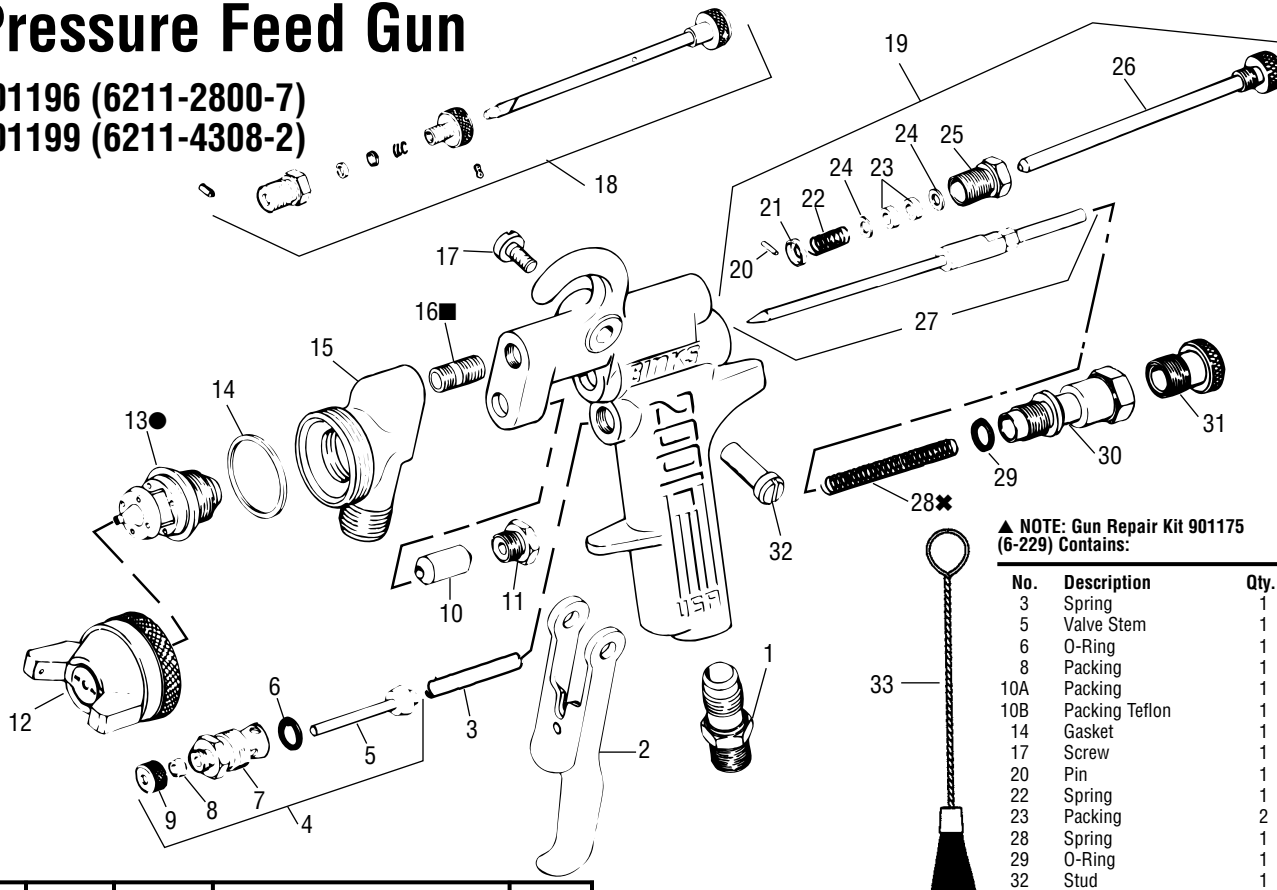
Refer to Part Sheet: 77-2316

Customer Service
1-800-445-3988

Model 2001 Conventional Pressure Feed Gun

901196 (6211-2800-7)

901199 (6211-4308-2)



▲ NOTE: Gun Repair Kit 901175 (6-229) Contains:

No.	Description	Qty.
3	Spring	1
5	Valve Stem	1
6	O-Ring	1
8	Packing	1
10A	Packing	1
10B	Packing Teflon	1
14	Gasket	1
17	Screw	1
20	Pin	1
22	Spring	1
23	Packing	2
28	Spring	1
29	O-Ring	1
32	Stud	1

No.	Order No.	Model No.	Description	Parts Required
1	900990	54-768	Connection	1
2	900455	54-1050	Trigger	1
3	▲	▲	Spring	1
4	900474	54-1236	Air Valve Assembly	1
5	▲	▲	Valve Stem Assembly	1
6	▲	▲	O-Ring	1
7	See 4	See 4	Valve Body	1
8	▲	▲	Packing	1
9	901451	82-135-5	Nut (Kit of 5)	1
10A	900986 ▲	54-764-5 ▲	Fluid Packing (Standard) (Kit of 5)	1
10B	▲	▲	Packing-Teflon (Optional)	1
11	901059	56-164	Nut	1
12	See Chart 1	See Chart 1	Air Nozzle with Ring	1
13	See Chart 2	See Chart 2	Fluid Nozzle	1
14	900997	54-918-5 ▲	Gasket (Kit of 5)	1
15	900599	54-3348	Head	1
16	900938	54-710 ■	Screw	1
17	▲ ●	▲ ●	Screw	1
18	900522	54-1780	Quick Change Side Port Control (Optional)	1
19	900598	54-3347	Side Port Control	1
20	See 19 ▲	See 19 ▲	Pin	1
21	See 19	See 19	Washer	1
22	See 19 ▲	See 19 ▲	Spring	2
23	See 19 ▲	See 19 ▲	Packing	2
24	See 19	See 19	Washer	1
25	See 19	See 19	Body	1
26	See 19	See 19	Screw	1
27	See Chart 3	See Chart 3	Needle Assembly	1
28	▲ ✱	▲ ✱	Spring	1
29	▲	▲	O-Ring	1
30	900442	54-1013	Body	1

No.	Order No.	Model No.	Description	Parts Required
31	900437	54-1007	Control Screw	1
32	▲ ●	▲ ●	Stud	1
33	901455	82-221	Flat Brush (Optional)	1
	900431	5-476	Fluid Nozzle Wrench (Optional) (Not Shown)	1

▲ Also available in Repair Kit 901175 (6-229). ✱ 900487 (54-1372) Heavy Duty Spring (Optional).
■ 901294 (73-165) Allen Wrench for #16 (Optional).

Chart 1 – Air Nozzle & Ring

Air Nozzle & Ring	Order No.
66SD-3	900353 (46-6092)
63P	900342 (46-6000)
63PB	900343 (46-6002)

● Screw & Stud Kit 900930 (54-5228)

No.	Description	Qty.
17	Screw	1
32	Stud	1

Chart 2 – Fluid Nozzles

Fluid Nozzle	Order No.	I.D. Size In.	I.D. Size MM
63BSS	900281 (45-6321)	.050	1.2
66SS	900285 (45-6601)	.070	1.8

Chart 3 – Needle

Needle No.	Order No.	For Fluid Nozzle
563A	900391 (47-56310)	63BSS
565	900393 (47-56500)	66SS